

Xd24 Canopy Mount

MID-HIGH OUTPUT | 3-IN
TRACKHEAD FIXTURE

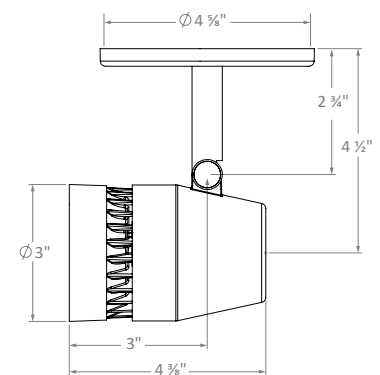
- / Made-to-order product*
- / 120 V Standard; *277 V option available for ETL fixture
- / 50,000 Hours (L70)
- / Integrated driver
- / 355° rotation; 0-90° head tilt
- / Designed for mounting to a standard 2" x 4" J-box, by others
- / UL Certified
- / RoHS-compliant
- / Dry location rating
- / Contains no lead or mercury
- / Fully dimmable; Compatability list available.
0-10 V Dimming option available*
- / VioLight and MonoWhite* color rendering enhancements available
- / * 90+ High CRI available for 27K and 30K. Consult factory for availability in other color temperatures. To order, replace 'K' in CCT designation with 'h' in code below



Ordering Information

Example: Xd24/25/30K/1850/WH/CM/SN

Fixture	Beam Spread	CCT / Lumens	Housing Color	Mounting	Options + Accessories
Xd24	COB-optic	25K* / 1400	WH - White	CM - Canopy Mount	277 V*
	15c	27K / 1550	SV - Silver		TS - Tapered Snoot
	25c	30K / 1600	BK - Black		HL - Honeycomb Louver
	40c	30m* / 1600		CM2 - *277 V Canopy Mount	SL - Linear Spread
		35K* / 1600			SP - Prismatic Spread
		35m* / 1600			SS - Solite Spread
		40K* / 1600			More Accessories Available
	Multi-optic	27K / 1550			
	15	30K / 1600			
	25	35K* / 1600			
	40	40K* / 1600			
		27K / 1800			
		30K / 1850			
		30v / 1850			
		35K* / 1850			
		40K* / 1850			
		27K / 2300			
		30K / 2400			
		35K* / 2400			
		40K* / 2400			



Weight: 20.8 oz.

*Consult factory for lead time and availability
Note: VioLight, MonoWhite and High CRI products will produce up to 20% less measured lumens than their standard CCT equivalent; Although, VioLight product perceived lumens will be noticeably higher than their standard counterparts.

Xd24 Canopy Mount

MID-HIGH OUTPUT | 3-IN
TRACKHEAD FIXTURE

Fixture	Fixture Code			Power (Watts)	CBCP (cd)	Standard CRI	
	Beam Angle	CCT	Delivered Lumens				
Xd24	15c	25K*	1400	20	5642	82	
	25c				3758		
	40c				2157		
	15c	27K	1550		6255		
	25c				4166		
	40c				2391		
	15c	30K	1600		6448		
	25c				4295		
	40c				2465		
	15c	30m* 35m*	≈1600	19	6448	90	
	25c				4295		
	40c				2465		
	15	27K	1550		17590		85
	25				5578		
	40				2395		
	15	30K	1600		18355		
	25				7405		
	40				2697		
	15	27K	1800	22	20296		
	25				6436		
	40				2763		
	15	30v*	≈1850		17799		
	25				5543		
	40				2856		
	15	30K	1850		20935		
	25				7675		
	40				2836		
	15	27K	2300	28	25979		
	25				8238		
	40				3537		
15	30K	2400	27061				
25			8581				
40			3684				

WARNING: Not for use in fully enclosed luminaires. Risk of electric shock. Use in an indoor, dry location only. This device is not intended for use with emergency exit fixtures or emergency exit lights. May not be compatible with all dimmers; please visit solais.com/dimming for up-to-date dimmer compatibility information.

NOTES: This device complies with Part 15 of the FCC Rule. This product may cause interference with other devices. If interference occurs, change the locations of the products involved. **Compatible on 120v systems.**



Warranty



IES Files



Dimmers



Accessories



LUXIANCE®

Luxiance utilizes active cooling to remove heat from the LED system - allowing Solais LED lamps to operate cooler, resulting in superior life, light output, and performance.



X-CHANGEABLE

X-Changeable is our all-in-one technology that incorporates the optics, LEDs, driver and power within a replaceable module. This allows you to change the lumen output, color temperature, beam angle and trim color with ease.



THEROTTLE

Thermal Throttle – In the event that Solais products begin to overheat, they will undetectably dim themselves to protect your technology investments.



VIOLIGHT™

VioLight radiates superior quality, enhancing colors in merchandise, making colors more vibrant and offering a truly competitive LED replacement for CMH-like crispness.